

INTRODUCTION

1. GENERAL DESCRIPTION

Model No / Series
NA-810 Dual Band Stubby Antenna

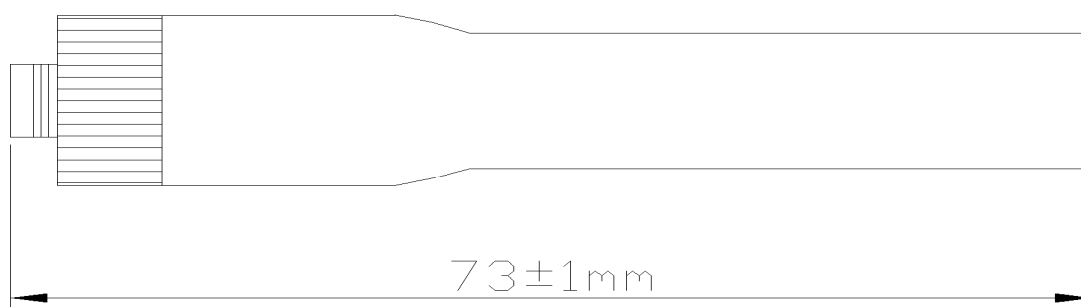
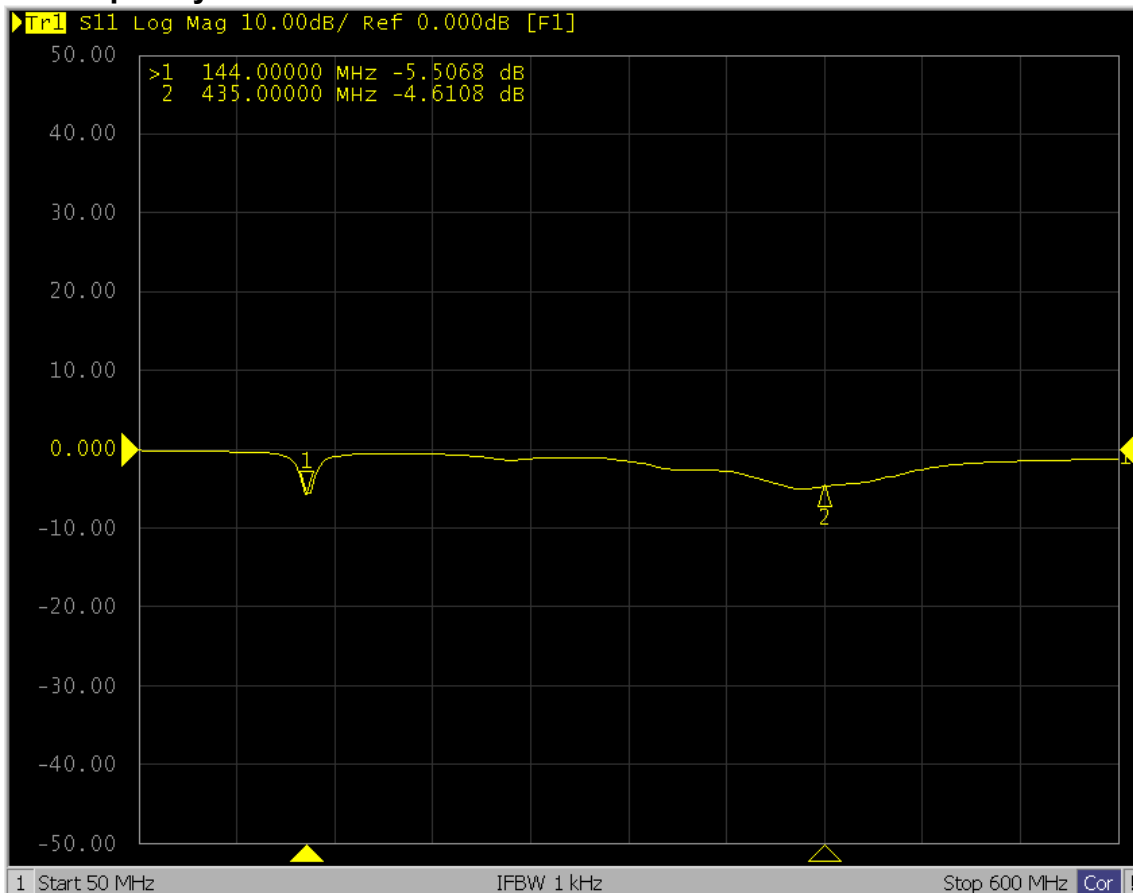
1.1 SPECIFICATION

Parameter	Description
Frequency Band	144/430 MHz
Antenna Gain	0 dBi
Nominal Impedance	50 ohm
Max Power Rating	10 Watts
Polarization	Linear Vertical
Connector Type	SMA-P/SMA-J
Antenna Length	73±1 mm
Antenna Color	Black
Operating Temperature Range	-30°C~+85°C

2. Appearance



3. Frequency



REUEX INDUSTRIAL CO., LTD. 名古屋通信股份有限公司

33441 桃園縣八德市力行街 41 號

NO.41 LI HSIN ST. PATEH CITY, TAOYUAN COUNTY, 33441 TAIWAN R.O.C.

TEL: +886-3-3644980 FAX: +886-3-3622014 EMAIL: reuex@ms39.hinet.net

Web: <http://www.nagoya.com.tw>